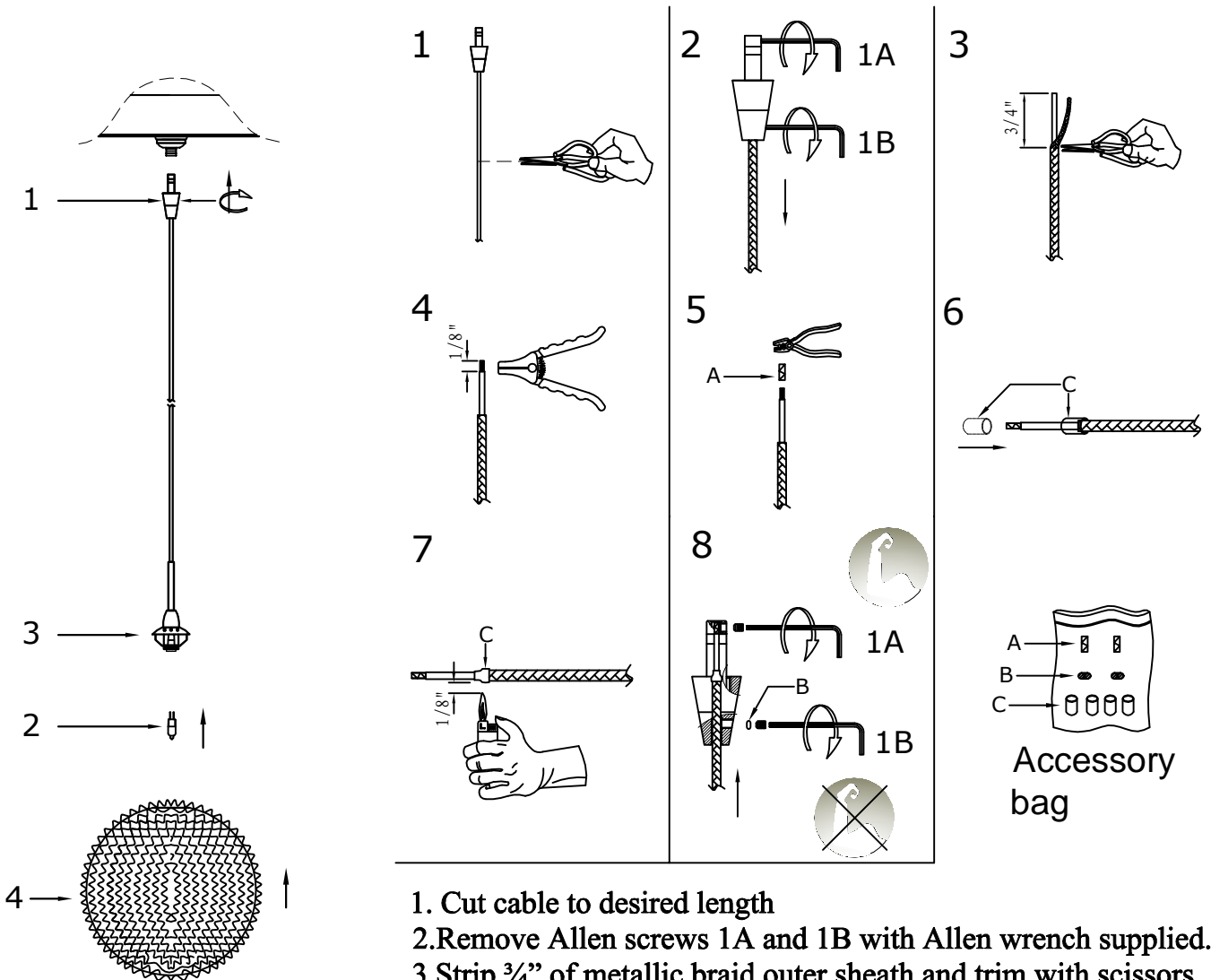


INSTALLATION INSTRUCTION

Item No: EP96017-78SN

Minx Jack Adjustment Instructions



1. Cut cable to desired length
2. Remove Allen screws 1A and 1B with Allen wrench supplied.
3. Strip $\frac{3}{4}$ " of metallic braid outer sheath and trim with scissors.
4. Strip $\frac{1}{8}$ " off end of center wire.
5. Install wire end connector A on to end of wire and crimp tight with pliers.
6. Place heat shrink tube Cover wire to where metal sheathing has been trimmed to in step 3.
7. Heat tubing with heat gun or hold over flame of lighter briefly to shrink onto wire to prevent fraying. Maintain at least $\frac{1}{8}$ " between top of flame and shrink tube to avoid melting. Turn wire while over flame to evenly heat.
8. Insert wire back into jack. Make sure you can visibly see the end connector through top hole. Reinstall Allan screw 1A and securely tighten. This screw supports the weight of the fixture so it is important to tighten sufficiently. Reinstall Allen screw 1B and tighten snug but not too tight. This screw should not be over tightened or short may occur.

FEATURE

- Lamp Type: "Xenon" G4 Max 20W 12V~

The lamp can be only indoor used
If in doubt, consult a qualified electrician or contact your retail outlet. Ensure that you always install the fitting to the relevant regulations. Certain regulations indicate that lighting fittings should be installed by a qualified electrician.

